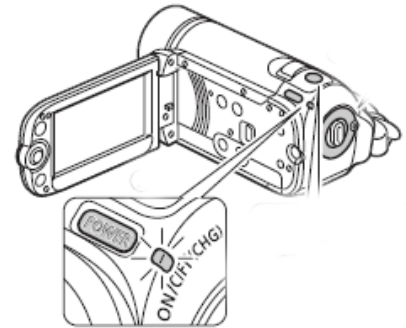


Canon FS200 Basic Video Operation

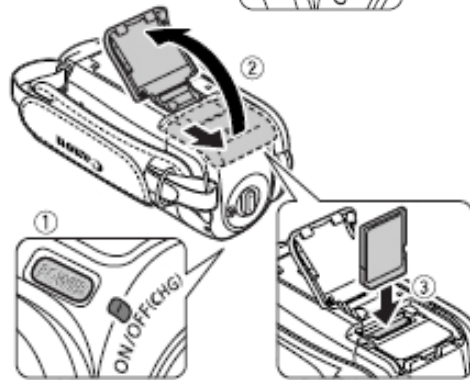
Powering On and Off

- Push the **POWER** button down to toggle between on and off.
- Indicator light turns the color green when power is on.
- Indicator light is off when power is off.



Inserting an SD Card

- Turn off the camcorder.
- Open the battery compartment lid.
- Insert the SD Card with the label facing the battery. Push down until it clicks.
- Close the battery compartment lid.
- Turn on the camcorder.



Recording Video

- Open the LCD panel
- Press the **Camera/Play** button until you see live video.

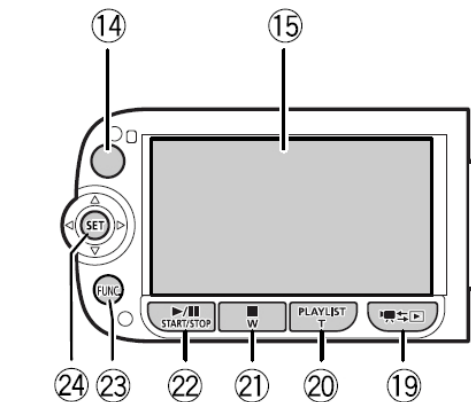
19



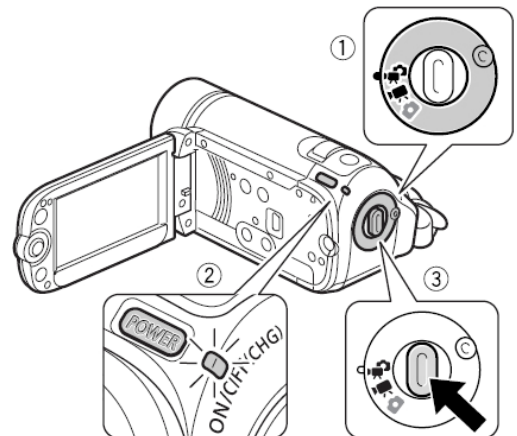
- Set the camera to **Dual Shot** mode.
- Press the **Start/Stop** button to begin recording.
- Press the **Start/Stop** button to pause recording.
- Press the **Camera/Play** button to stop all recording and move to Play Back mode.



3



mode.



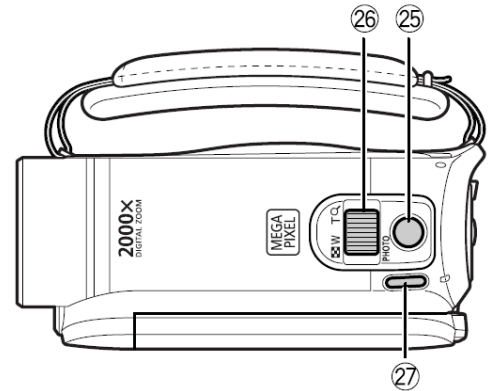
Canon FS200 Basic Video Operation

Zooming Lever

- Slide the Zoom Lever to toward W to increase the video frame size.
- Slide the Zoom Lever toward the T to decrease the video frame size.



26



Playing Back Record Video

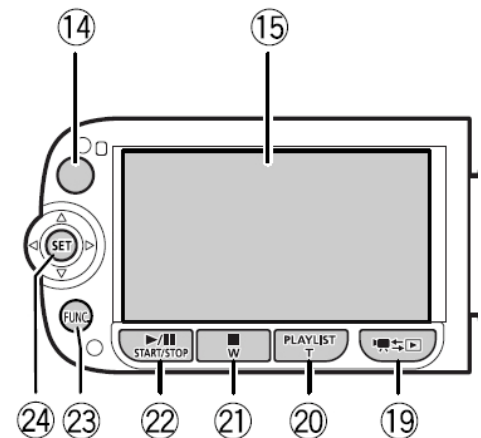
- Open the LCD panel
- Press the **Camera/Play** button until you see thumbnails of video segments.

19



- Use the **Joystick** to move to video segment you want to play.
- Press the Joystick in to begin playback. Playback will include that video segments and any video segments after it

24



Deleting a Recorded Video Segment

- Use the Joystick to move to the video segment you wish to delete.
- Press the **FUNC** button.
- Use the Joystick to move to the **DELETE** function icon (trash can).
- Press the Joystick twice.
- Use the Joystick to move to **YES**.
- Press the Joystick and wait till the segment is deleted.
- Press the Joystick.

23



button.

